

TECHNICAL SPECIFICATIONS

Updated on
august 16th, 2022

CIRCUITS BIO / LINÉAIRES / RAYON BOISSONS / PROCESS ALIMENTAIRE / PLM / FILIÈRES AVICOLES / PORCMAG

Technical specifications of **2 pages inserts** of our magazine -----> **to be delivered**

Format
our magazine:
200 x 270 mm

Please supply your insert **in the maximum finished size of:**

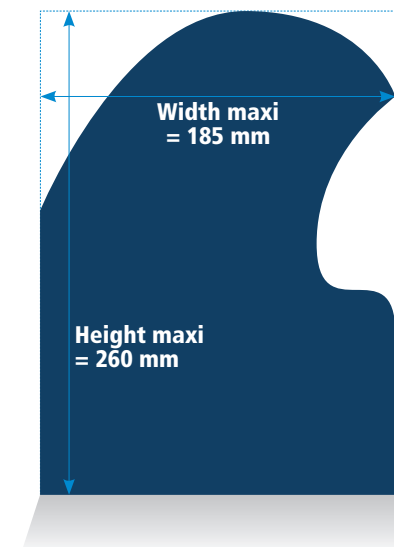
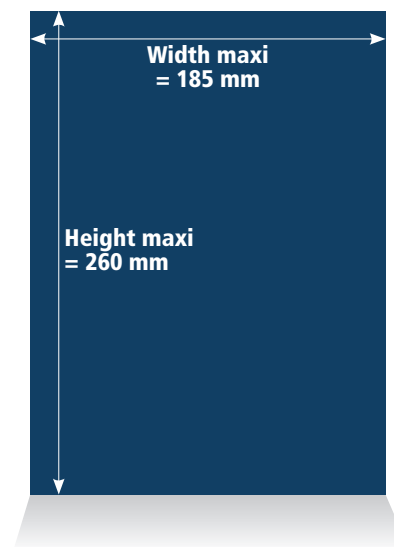
Width 185 mm x Height 260 mm

Your insert can have the shape you want but it must not exceed our **maximum** finished size (**185 x 260 mm**).

For a small finished format (less than 100 x 100 mm), please contact us and send us a blank model.

Paper weight to use:

90 g/m² minimum
170 g/m² maximum



INSERT DELIVERY ADDRESS

Agir Graphic – Imaye

Z.I. des Touches – 81 boulevard Henri Becquerel – 53000 LAVAL

Make an appointment for delivery with: livraison@brio-graphic.fr

To note absolutely on the palette:

- The magazine title
- The advertiser's name
- The number of copies delivered
- The source

For the pallet, we accept:

- 1000 kg maximum weight
- 100 cm x 120 cm for maxi format
- 120 cm maximum height

The pallet must be unstacked and with corner protections.

WARNING:

Your inserts must be delivered folded into bundles not bi-jointed on pallet well protected, filmed and identified (presence of a delivery form). If the inserts are too small and may slip on the pallet, thank you to plan cardboard boxes.