

Technical specifications

CIRCUITS BIO / LINÉAIRES / RAYON BOISSONS / PROCESS ALIMENTAIRE / PLM / FILIÈRES AVICOLES / PORCMAG **PRINT**

Updated on
august 31st, 2023

Technical specifications of **full color Width 1/2 page** of our magazines

Please supply 1 HD PDF file containing your **Width 1/2 page** in the defined format of : **W 165 mm x H 116,5 mm**

The following HD PDF files will be accepted:

Pdf 1.3, Pdf/X-1a, Pdf/X-3, Pdf 1.4 without transparency

TrimBox, MediaBox, BleedBox should be fully defined in your HD PDF file.

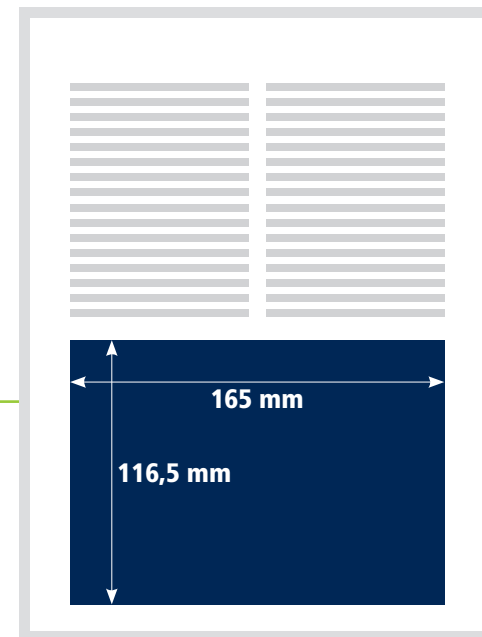
In order to allow you to realize PDF 1.3 without transparency, we put on line the description (from InDesign or Xpress) and the Joboptions (to download) to realize a PDF compliant to our constraints. These elements are available on this address:

https://www.elo-presse.com/nt/elo_normes_techniques.html

For all other types of PDF file (such as PDF 1.4 with transparency), please contact us for a technical assessment of the file supplied.

NB: All items should be sent along with a certified colour proof (Approval, Cromalin, Iris, etc.) produced using the file(s) and bearing the same time and date stamp as the file(s). We cannot accept responsibility for colour proofs that are uncertified or for which certification is missing.

Our magazines are printed in four colors, it must not appear RGB, Lab, DeviceN, Pantone, or other spot color in your file.



Format
our magazine:
200 x 270 mm